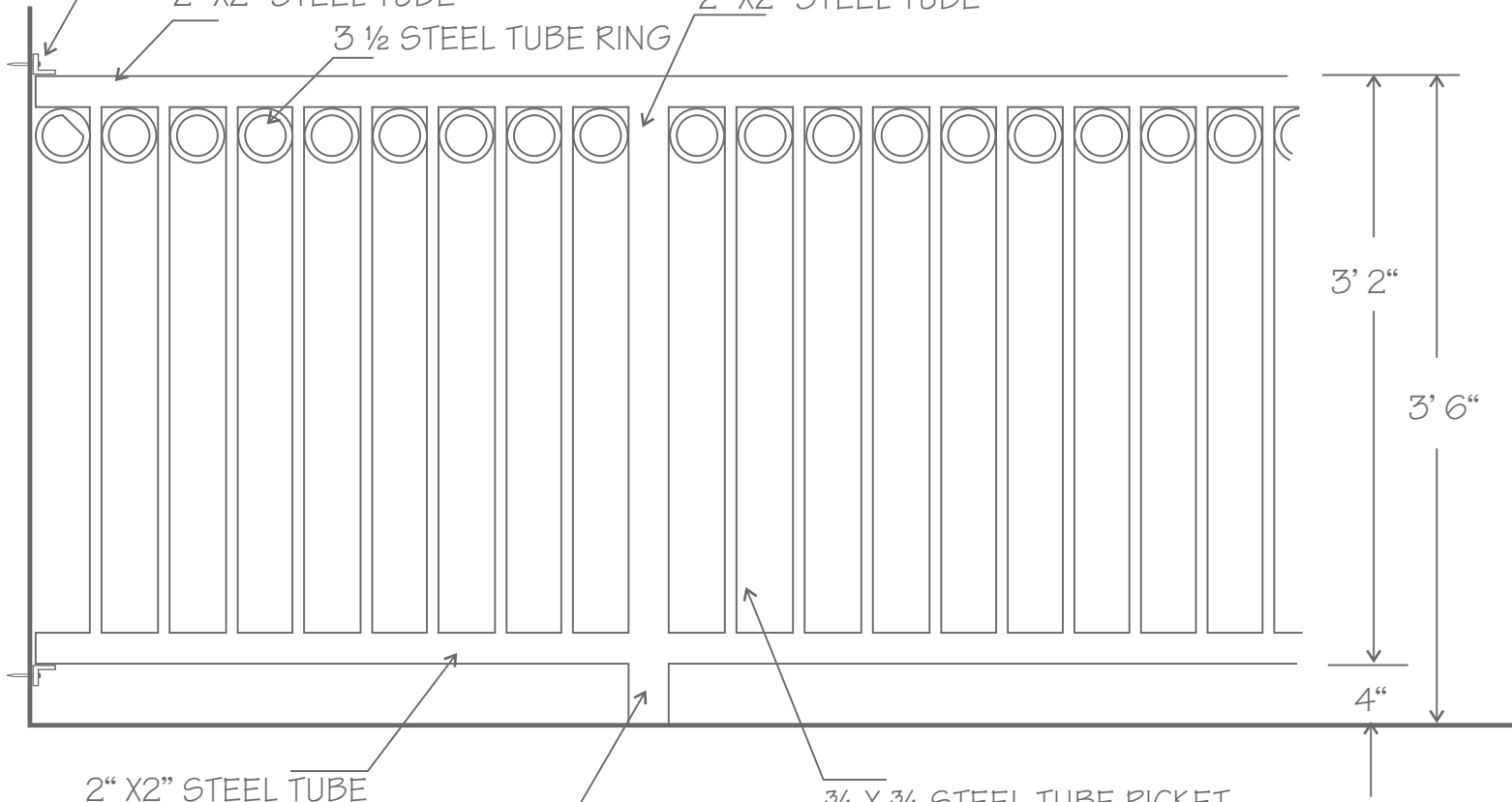


ANGLES WELDED TO TUBING AND
BOLTED TO WALLS W/ LAG BOLTS TOP
AND BOTTOM EACH END

2" X2" STEEL TUBE

3 1/2" STEEL TUBE RING

2" X2" STEEL TUBE



2" X2" STEEL TUBE

3/4 X 3/4 STEEL TUBE PICKET
ON 4" CENTERS

CENTER POST AS REQUIRED
NOT ATTACHED TO CONCRETE

Balcony Rail 3

Drwg.#

Date 11-08-00

Meyer Smith Inc.

Drawn By: JRS

800.729.9063